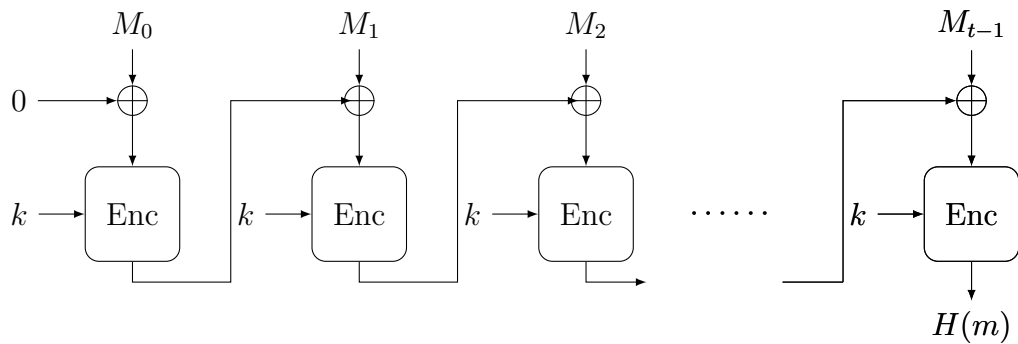


## Homework sheet 4, due 15 December 2022 at 13:30

Submit your homework (pdf and code, if any) by encrypted and signed email to all TAs (not Tanja). Do not forget to attach your public key and the public key of anybody you put in cc. Make sure to have different members of your group handle the submission.

1. In SSLv3 one of the two options for symmetric encryption is DES in CBC mode. To protect against message forgery a message authentication code MAC is used. SSLv3 uses the MAC-then-encrypt approach, thus a message  $m$  first gets encoded as  $M = m || \text{MAC}(m) || \text{pad} = M_0 \dots M_{t-1}$  and then encrypted using DES with CBC. The padding pad is chosen so that the total length of  $M$  in bytes is a multiple of 8 (to match the block size of DES) and that the last byte states the length of the padding (including this byte) in bytes. Note, the latter means that there always has to be a padding, even if  $m || \text{MAC}(m)$  has length a multiple of 8. There are no further requirements on how the padding is chosen. Upon receiving a ciphertext  $C$ , a computer will decrypt the message  $M$ , read the last byte to learn the length of the padding to identify  $m$  and  $\text{MAC}(m)$ , and finally verify the MAC. If this verification fails the computer will close the connection.
  - (a) Just as a reminder of how CBC works, state the formula for decrypting the last block  $C_{t-1}$  of the ciphertext. 1 point
  - (b) Assume that  $C = \text{IV}C_0C_1 \dots C_{t-1}$  is a ciphertext so that the  $C_{t-1}$  block comes entirely from the encryption of pad. What is the value of the last byte in  $M_{t-1}$ ? 2 points
  - (c) In the situation of (b), show how this gives you a method that for each  $0 < i < t - 1$  allows you to test whether the last byte of  $M_i$  matches a publicly available value (computed from the  $C_i$ s).  
Hint: you need all pieces provided in the next part to get the value you can test for in  $M_0$ . Of course the attack also needs  $C_0$  but that does not influence the value you can check for. Here you should state things for  $M_i$  with general  $i$ . 8 points
  - (d) In the situation of (b), use the attack you found in (c) on the following concrete example: let  $\text{IV} = 01\ 23\ 45\ 67\ 89\ \text{AB}\ \text{CD}\ \text{EF}$ ,  $C_{t-2} = 12\ 34\ 56\ 78\ 9A\ \text{BC}\ \text{DE}\ \text{F0}$  (in hex) and (like above) let  $C_{t-1}$  come entirely from padding. What value of the last byte of  $M_0$  can you test for? 3 points
2. Inspired by the Merkle-Damgård construction and block cipher modes, cryptographer Charlie constructs a hash function digesting message  $m = (M_0, M_1, M_2, \dots, M_{t-1})$  block wise to  $H(m)$  using a modification of CBC encryption. The key  $k$  is publicly known and fixed, the  $\text{IV} = 0$  is publicly known and fixed. Each  $M_i$  has the correct block length  $n$  for the block cipher  $\text{Enc}: \{0, 1\}^n \times \{0, 1\}^\ell \rightarrow \{0, 1\}^n$ . Charlie's hash function computes  $H(m)$  as follows:



(Picture credit: Modified from [CBC encryption](#) by Diana Maimut.)

- Show how to break preimage resistance, i.e. given  $y \in \{0, 1\}^n$  find a preimage  $x \in \{0, 1\}^*$  with  $H(x) = y$ . 2 points
- Show how to break second preimage resistance, i.e. given  $x \in \{0, 1\}^*$  find  $x' \neq x$  with  $H(x) = H(x')$ . 2 points
- Show how to break collision resistance, i.e. find  $x, x' \in \{0, 1\}^*$  with  $x \neq x'$  so that  $H(x) = H(x')$ . 2 points